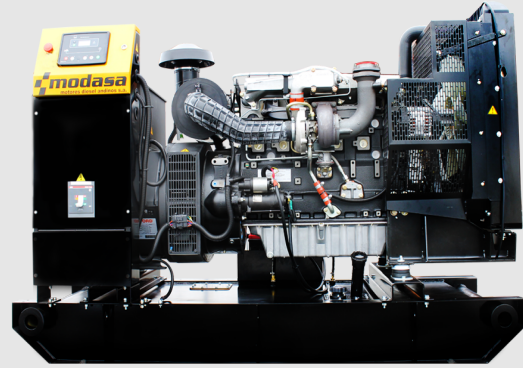


MODEL	POWER		VOLTAGE	FREQUENCY	POWER FACTOR	CURRENT
	PRIME	STAND BY				
MP-180ES	164 Kw/205 KVA	181 Kw/226 KVA	208V	60Hz	0.8	628 A



SILENT GENERATOR SET



OPEN GENERATOR SET

\* Note: All pictures shown are for illustration purpose only. Actual product may vary due to product enhancement.

## Specifications

### Generator Set

Model	MP-180ES	
Engine	PERKINS 1106D-E70TAG4 EPA Tier 3	
Alternator	STAMFORD UCI 274H	
Control Panel	Electronic	
Phases	Three-phase	
Fuel Tank	Open: 82 Gallons / Silent: 148 Gallons	
Electric System	12V.	
Frequency	60Hz	50Hz
Cooling Fan Air flow	282 m3/min	270 m3/min
Combustion Air flow	15.4 m3/min	13.2 m3/min
Exhaust Gas flow	34.27 m3/min	31.7 m3/min
Exhaust Gas temperature	509 °C	530 °C

Silent Genset	Maximum	Ambient
Noise Level @ 7m	67 +/- 2 dBA	54 dBA

### Engine

Number of Cylinders	6 in-line
Governor Type	Electronic
Cycle	4-Stroke
Aspiration	Turbocharger aftercooled
Fuel	Diesel
Combustion System	Direct injection
Cooling Method	Cooling liquid
Bore	105.0 mm
Stroke	135.0 mm
Displacement	7010cc
Compression Ratio	16.8:1
Lubrication Sys. Capacity	16.5 liters
Cooling Sys. Capacity	21 liters

### Fuel Consumption

Engine Speed	1800 RPM	1500 RPM
	l/hr	l/hr
Stand-by Power (2)	52.2	47.3
Prime Power (1)	48.3	43.4
75% Prime Power (1)	38.8	34.0
50% Prime Power (1)	26.6	24.1

### Alternator

Insulation System	Class "H"
Exciter Type	Self exciter
Voltage Regulation Card	SX460 ± 1.0%
Protection Class	IP 23

### Technical Standards

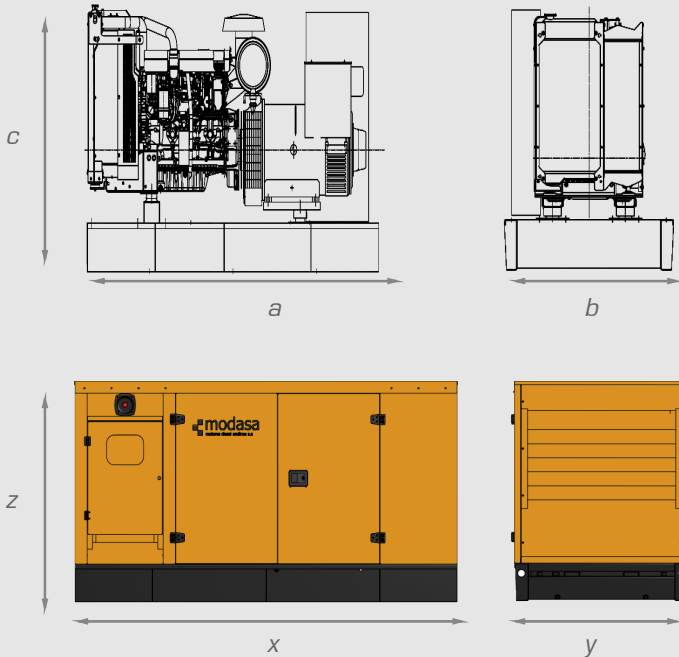
Engine :	ISO 3046, BS 5514, DIN 6271
Alternator :	IEC EN 60034, BS 5000, IEC 34 VDE 0530, NEMA MG1-32 CSAC22, 2-100, ASI 1359
Generator Set :	ISO 8528, ISO 9001:2015

(1) Prime Power: Available power under variable load for unlimited hours per year (ISO8528-1). Allows 10% power surge for one hour, every 12 hours.

(2) Standby Power: Available power under variable load, whenever the commercial network breaks down. Does not accept surges (ISO8528-3); it has 500 hours usage limit per year or 300 continuous hours instead.

## Dimensions

Dimensions and Weights	a	b	c	Weight	Exh. Ø
	2408 mm	952 mm	1520 mm	1680 kg	3"
Dimensions and Weights	x	y	z	Weight	Exh. Ø
	3408 mm	1339 mm	1900 mm	2490 kg	5"



## Optional Enhancements

- Residential muffler. (included in Silent Genset)
- Monoblock water heater.
- Alternator dehumidifying resistance.
- Electronic governance.
- Automatic transfer board.
- Variety of voltages.
- Remote speed/voltage potentiometer.
- PMG
- Fuel level electric meter.

## Control Panel



Outfitted with the most recent age electronic digital control panel, it allows starting, controlling, protecting and stopping the generator set in manual and automatic modes. Performs automatic transfer.

Measurements shown with alpha-numeric characters on the digital display:

- Current of the three phases L1, L2, L3
- Energy demand KWh, KVAh, KVArh.
- Active energy KVAh.
- Power factor.
- Frequency.
- Working time.
- Memory of the last 250 events, description, date and time.
- Active Power KW.
- Reactive Power KVA.
- Oil pressure.
- Sequence of generator phases.
- Oil temperature.
- Air intake temperature.
- Fuel temperature.
- Exhaust gas temperature.
- Cooling temperature.
- Rotation speed.
- Battery voltage.
- Voltage of the three phases L - L and L - N.

Protection:

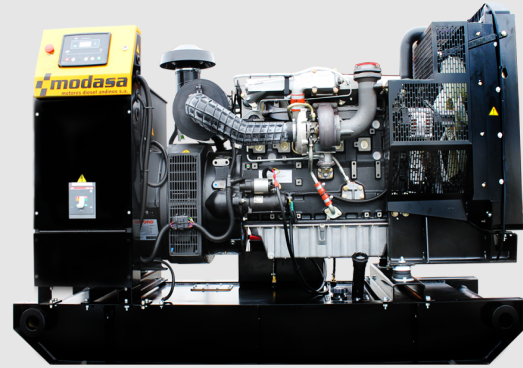
- Activated maintenance alarm set.
- High temperature of the motor.
- Low/High frequency
- Low oil pressure.
- Low/High battery voltage.
- Low/High generator voltage.
- CAN diagnosis.
- Starter failure.
- Stop failure.
- Negative phase sequence failure.
- Over current failure.
- Overload fault.
- Emergency stop.
- Loss of speed signal due to pickup disconnection.

M: Modasa / P: PERKINS Engine / 180: Genset Power Reference / Q: 50 Hz 1500 RPM / I: Silent / M: Single-phase / E: EPA Tier

MODEL	POWER		VOLTAGE	FREQUENCY	POWER FACTOR	CURRENT
	PRIME	STAND BY				
MP-180E	163 Kw/204 KVA	180 Kw/225 KVA	440V	60Hz	0.8	295 A
MP-180E	163 Kw/204 KVA	180 Kw/225 KVA	480V	60Hz	0.8	271 A



SILENT GENERATOR SET



OPEN GENERATOR SET

\* Note: All pictures shown are for illustration purpose only. Actual product may vary due to product enhancement.

## Specifications

### Generator Set

Model	MP-180E	
Engine	PERKINS 1106D-E70TAG4 EPA Tier 3	
Alternator	STAMFORD UCI 274G	
Control Panel	Electronic	
Phases	Three-phase	
Fuel Tank	Open: 82 Gallons / Silent: 148 Gallons	
Electric System	12V.	
Frequency	60Hz	50Hz
Cooling Fan Air flow	282 m3/min	270 m3/min
Combustion Air flow	15.4 m3/min	13.2 m3/min
Exhaust Gas flow	34.27 m3/min	31.7 m3/min
Exhaust Gas temperature	509 °C	530 °C

Silent Genset	Maximum	Ambient
Noise Level @ 7m	67 +/- 2 dBA	54 dBA

### Engine

Number of Cylinders	6 in-line
Governor Type	Electronic
Cycle	4-Stroke
Aspiration	Turbocharger aftercooled
Fuel	Diesel
Combustion System	Direct injection
Cooling Method	Cooling liquid
Bore	105.0 mm
Stroke	135.0 mm
Displacement	7010cc
Compression Ratio	16.8:1
Lubrication Sys. Capacity	16.5 liters
Cooling Sys. Capacity	21 liters

### Fuel Consumption

Engine Speed	1800 RPM	1500 RPM
	l/hr	l/hr
Stand-by Power (2)	52.2	47.3
Prime Power (1)	48.3	43.4
75% Prime Power (1)	38.8	34.0
50% Prime Power (1)	26.6	24.1

### Alternator

Insulation System	Class "H"
Exciter Type	Self exciter
Voltage Regulation Card	SX460 ± 1.0%
Protection Class	IP 23

### Technical Standards

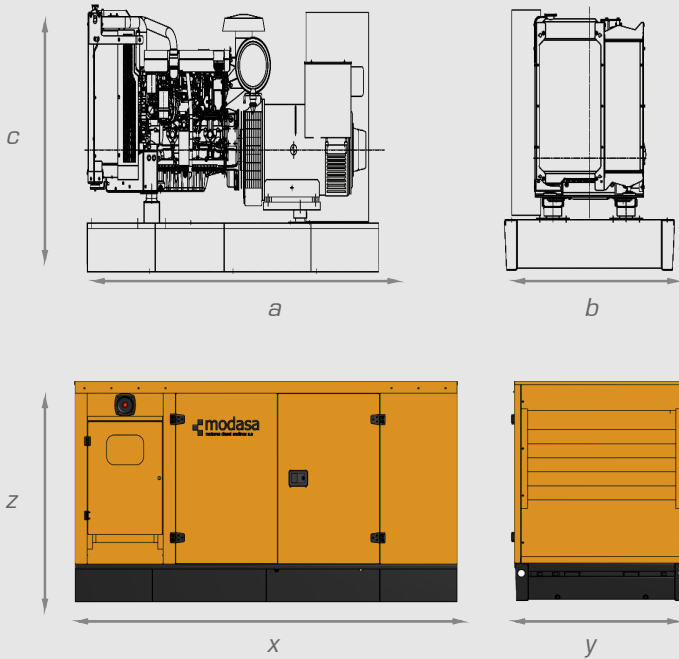
Engine :	ISO 3046, BS 5514, DIN 6271
Alternator :	IEC EN 60034, BS 5000, IEC 34 VDE 0530, NEMA MG1-32 CSAC22, 2-100, ASI 1359
Generator Set :	ISO 8528, ISO 9001:2015

(1) Prime Power: Available power under variable load for unlimited hours per year (ISO8528-1). Allows 10% power surge for one hour, every 12 hours.

(2) Standby Power: Available power under variable load, whenever the commercial network breaks down. Does not accept surges (ISO8528-3); it has 500 hours usage limit per year or 300 continuous hours instead.

## Dimensions

Dimensions and Weights	a	b	c	Weight	Exh. Ø
	2408 mm	952 mm	1520 mm	1680 kg	3"
Dimensions and Weights	x	y	z	Weight	Exh. Ø
	3408 mm	1339 mm	1900 mm	2490 kg	5"



## Optional Enhancements

- Residential muffler. (included in Silent Genset)
- Monoblock water heater.
- Alternator dehumidifying resistance.
- Electronic governance.
- Automatic transfer board.
- Variety of voltages.
- Remote speed/voltage potentiometer.
- PMG
- Fuel level electric meter.

## Control Panel



Outfitted with the most recent age electronic digital control panel, it allows starting, controlling, protecting and stopping the generator set in manual and automatic modes. Performs automatic transfer.

Measurements shown with alpha-numeric characters on the digital display:

- Current of the three phases L1, L2, L3
- Energy demand KWh, KVAh, KVArh.
- Active energy KVAh.
- Power factor.
- Frequency.
- Working time.
- Memory of the last 250 events, description, date and time.
- Active Power KW.
- Reactive Power KVA.
- Oil pressure.
- Sequence of generator phases.
- Oil temperature.
- Air intake temperature.
- Fuel temperature.
- Exhaust gas temperature.
- Cooling temperature.
- Rotation speed.
- Battery voltage.
- Voltage of the three phases L - L and L - N.

Protection:

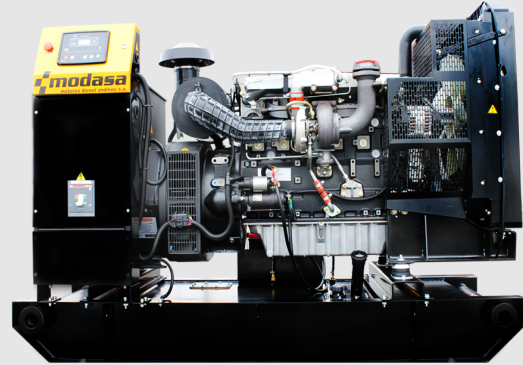
- Activated maintenance alarm set.
- High temperature of the motor.
- Low/High frequency
- Low oil pressure.
- Low/High battery voltage.
- Low/High generator voltage.
- CAN diagnosis.
- Starter failure.
- Stop failure.
- Negative phase sequence failure.
- Over current failure.
- Overload fault.
- Emergency stop.
- Loss of speed signal due to pickup disconnection.

M: Modasa / P: PERKINS Engine / 180: Genset Power Reference / Q: 50 Hz 1500 RPM / I: Silent / M: Single-phase / E: EPA Tier

MODEL	POWER		VOLTAGE	FREQUENCY	POWER FACTOR	CURRENT
	PRIME	STAND BY				
MP-180EM	160 Kw/160 KVA	174 Kw/174 KVA	240V	60Hz	1.0	725 A



SILENT GENERATOR SET



OPEN GENERATOR SET

\* Note: All pictures shown are for illustration purpose only. Actual product may vary due to product enhancement.

## Specifications

### Generator Set

Model	MP-180EM	
Engine	PERKINS 1106D-E70TAG4 EPA Tier 3	
Alternator	STAMFORD UCDI 274J	
Control Panel	Electronic	
Phases	Single-phase	
Fuel Tank	Open: 82 Gallons / Silent: 148 Gallons	
Electric System	12V.	
Frequency	60Hz	50Hz
Cooling Fan Air flow	282 m3/min	270 m3/min
Combustion Air flow	15.4 m3/min	13.2 m3/min
Exhaust Gas flow	34.27 m3/min	31.7 m3/min
Exhaust Gas temperature	509 °C	530 °C

Silent Genset Noise Level @ 7m	Maximum	Ambient
		67 +/- 2 dBA

### Engine

Number of Cylinders	6 in-line
Governor Type	Electronic
Cycle	4-Stroke
Aspiration	Turbocharger aftercooled
Fuel	Diesel
Combustion System	Direct injection
Cooling Method	Cooling liquid
Bore	105.0 mm
Stroke	135.0 mm
Displacement	7010cc
Compression Ratio	16.8:1
Lubrication Sys. Capacity	16.5 liters
Cooling Sys. Capacity	21 liters

### Fuel Consumption

Engine Speed	1800 RPM	1500 RPM
	l/hr	l/hr
Stand-by Power (2)	52.2	47.3
Prime Power (1)	48.3	43.4
75% Prime Power (1)	38.8	34.0
50% Prime Power (1)	26.6	24.1

### Alternator

Insulation System	Class "H"
Exciter Type	Self exciter
Voltage Regulation Card	SX460 ± 1.0%
Protection Class	IP 23

### Technical Standards

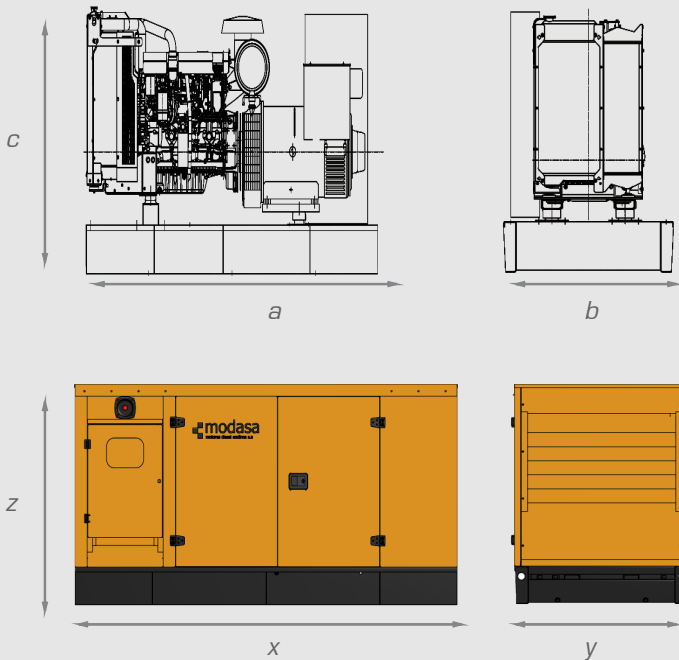
Engine :	ISO 3046, BS 5514, DIN 6271
Alternator :	BS EN 60034, BS 5000, IEC 34 VDE 0530, NEMA MG1-32 CSAC22.2-100, ASI 1359
Generator Set :	ISO 8528, ISO 9001:2015

(1) Prime Power: Available power under variable load for unlimited hours per year (ISO8528-1). Allows 10% power surge for one hour, every 12 hours.

(2) Standby Power: Available power under variable load, whenever the commercial network breaks down. Does not accept surges (ISO8528-3); it has 500 hours usage limit per year or 300 continuous hours instead.

## Dimensions

Dimensions and Weights	a	b	c	Weight	Exh. Ø
	2408 mm	952 mm	1520 mm	1827 kg	3"
Dimensions and Weights	x	y	z	Weight	Exh. Ø
	3408 mm	1339 mm	1900 mm	2637 kg	5"



## Optional Enhancements

- Residential muffler. (included in Silent Genset)
- Monoblock water heater.
- Alternator dehumidifying resistance.
- Electronic governance.
- Automatic transfer board.
- Variety of voltages.
- Remote speed/voltage potentiometer.
- PMG
- Fuel level electric meter.

## Control Panel



Outfitted with the most recent age electronic digital control panel, it allows starting, controlling, protecting and stopping the generator set in manual and automatic modes. Performs automatic transfer.

Measurements shown with alpha-numeric characters on the digital display:

- Current of the three phases L1, L2, L3
- Energy demand KWh, KVAh, KVArh.
- Active energy KVAh.
- Power factor.
- Frequency.
- Working time.
- Memory of the last 250 events, description, date and time.
- Active Power KW.
- Reactive Power KVA.
- Oil pressure.
- Sequence of generator phases.
- Oil temperature.
- Air intake temperature.
- Fuel temperature.
- Exhaust gas temperature.
- Cooling temperature.
- Rotation speed.
- Battery voltage.
- Voltage of the three phases L - L and L - N.

Protection:

- Activated maintenance alarm set.
- High temperature of the motor.
- Low/High frequency
- Low oil pressure.
- Low/High battery voltage.
- Low/High generator voltage.
- CAN diagnosis.
- Starter failure.
- Stop failure.
- Negative phase sequence failure.
- Over current failure.
- Overload fault.
- Emergency stop.
- Loss of speed signal due to pickup disconnection.

M: Modasa / P: PERKINS Engine / 180: Genset Power Reference / Q: 50 Hz 1500 RPM / I: Silent / M: Single-phase / E: EPA Tier